

2×2 Multi Mode Mechanical Fiber Optic Switch (V Package)



Feature:

- Unmatched Low Cost
- Low Insertion Loss
- High Channel Isolation
- Highly Stable and Reliable
- Epoxy-Free Optical path
- Latching or Non-Latching

Application:

- Optical Network Protection/Restoration
- Optical Signal Routing
- Configurable Optical Add/Drop
- Transmitter and Receiver Protection
- Network Test Systems
- Instrumentation

Performance Specification:

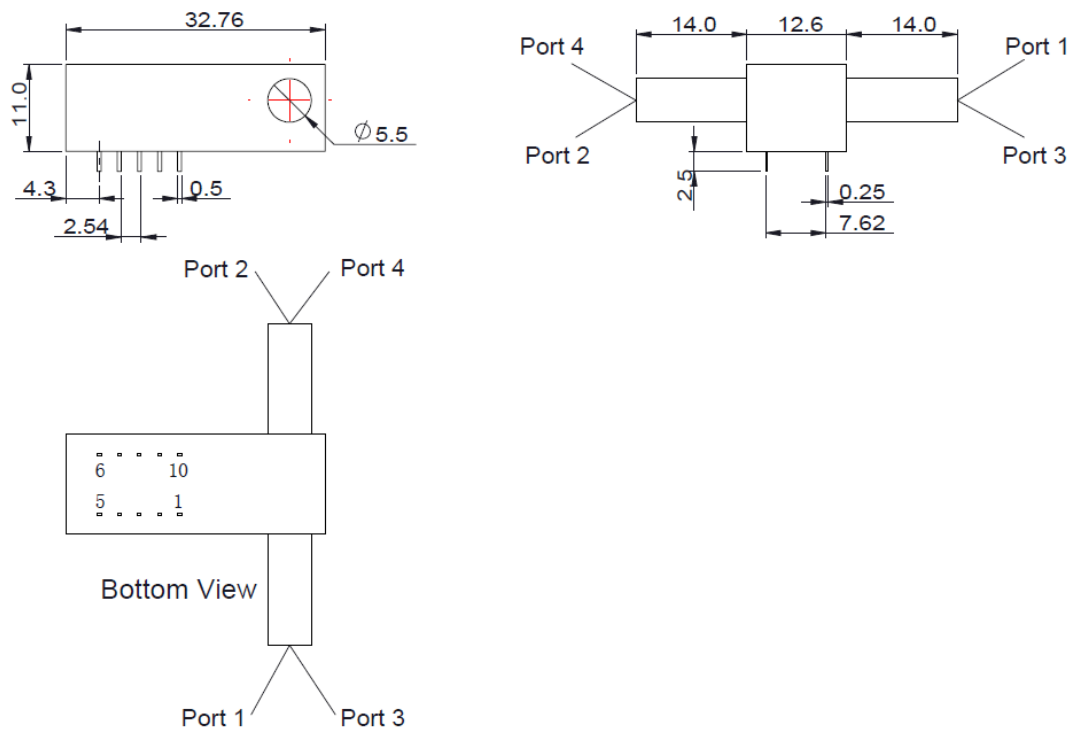
Parameter	Specification			
	850, 1310 or 1550±40		850/1310 or 1310/1550	
Insertion Loss (dB)	P Grade	A Grade	P Grade	A Grade
	≤ 1.0	≤ 1.2	≤ 1.2	≤ 1.4
WDL (dB)	≤ 0.25		≤ 0.30	
PDL (dB)	≤ 0.05			
Channel Cross Talk (dB)	≥ 35			
Return loss (dB)	≥ 35			
Switching Speed (ms)	≤ 10 (Typ.4)			
Operating Voltage (V)	5			
Power Handling (mW)	500			
Durability (Cycles)	10 Million (Min.)			
Operating Temperature (°C)	0 ~ 70			
Storage Temperature (°C)	-40 ~ 85			
Fiber Type	50/125 or 62.5/125 fiber			
Fiber Length (m)	Customer Specify			
Dimension (L×W×H) (mm)	L32.76 × W12.6 × H11.0			

Notes: All above spec are without connectors.

Electrical Pin Configuration:

	Optical	Port1 ~ Port3 / Port2 ~ Port4		Port1 ~ Port4 / Port2 ~ Port3	
Electric Drive	Non-Latching	Pin 1	Pin 10		
	Latching	Pin 1	Pin 5	Pin 6	Pin 10
		V+	GND	GND	V+
Sensor Status	Non-Latching and Latching	Pin 2-3, Pin 8-9 Open		Pin 2-3, Pin 8-9 Close	
		Pin 3-4, Pin 7-8 Close		Pin 3-4, Pin 7-8 Open	

Package Dimension:



Ordering Information:

	Sensor Status	Operating Wavelength	Port	Grade	Fiber Type	Pigtail Type	Fiber Length	In/Out Connector
SMSL	L=Latching	85=850	0202=2×2	P=P	1=50/125	1=Bare Fiber	0.5=0.5m	0=None
	N=Non-Latching	13=1310		Grade	2=62.5/125	2=900um	1=1m	1=FC/APC
		15=1550		A=A	Jacket	2=2m	2=FC/PC	
		83=850/1310		Grade			3=SC/APC	
		35=1310/1550					4=SC/PC	
		5=ST						
						6=LC/PC		
						7=LC/APC		